



## Product Description

The OA5 Benchtop Optical Attenuators enable precise optical power control featuring high accuracy and superior repeatability.

The OA5's are ideal for lab and production applications including power level adjustment in automated test systems, Bit Error Rate Testing (BERT) of transmitters and receivers, and channel equalization in WDM systems.

The OA5 model is a benchtop instrument offering dynamic range of up to 100 dB (depending on the model configuration). The OA5 remote interface can be controlled via GPIB, RS232, USB\*, or locally via the user-friendly front panel keypad and display, simplifying the selection and confirmation of attenuation levels.

OA5 series attenuators may be calibrated to particular wavelengths and made to a variety of configuration options offering flexibility for all applications.

\*USB interface via-USB-DB9 adapter

## KEY FEATURES

- Precise optical power
- $\pm 0.1$  dB Accuracy
- $\pm 0.01$  dB Repeatability
- 100 dB Dynamic range
- Optional new Flexcore
- (5/125  $\mu$ m) Fiber testing

## APPLICATIONS

- Manufacturing production testing
- Bit Error Rate Testing (BERT)
- Channel equalization

## COMPLIANCE

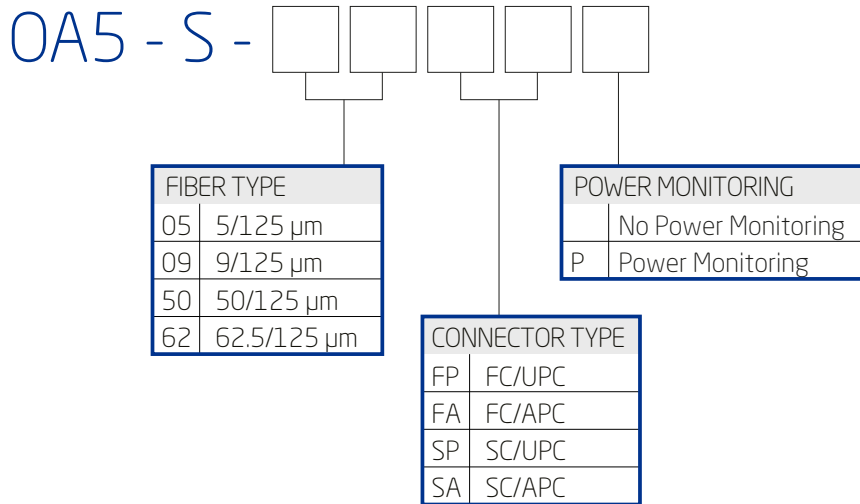
- UL/CSA 61010
- IEC 61010
- FCC Part 15 (Class A)
- EN 61326 (Class A)

## IN THE BOX

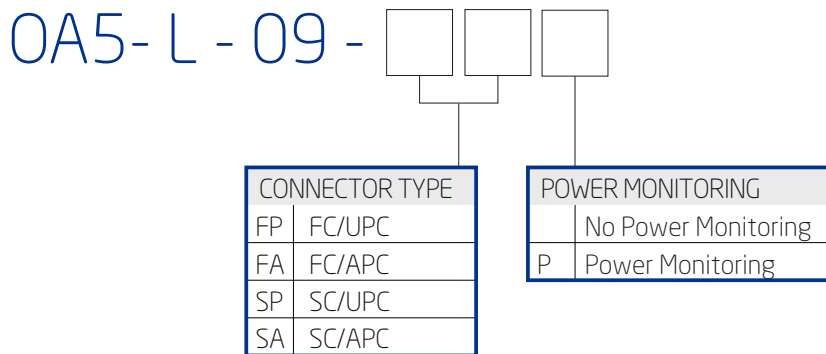
- OA5 Attenuator
- AC power cord

## Ordering Scheme

### Short Range Version



### Long Range Singlemode 9/125 Version



## Specifications

### OPTICAL / ELECTRICAL SPECIFICATIONS

Parameter	Specification			
	Single-mode		Multimode	Flexcore
	Long	Short	Short	Short
Wavelength Range (nm)	1200-1700	1200-1700	750-1700	960-1080
Attenuation Range (dB)	100	60	60	60
Insertion Loss (dB) <sup>1</sup>	SM (9 / 125µm) <sup>2</sup>	1.5	1.2	
	MM (50 or 62.5 / 125µm) <sup>3</sup>		1.8	
	HI1060 (5 / 125µm)			2.5
Return Loss (dB)	SM (9 / 125µm)	60		
	MM (50 or 62.5 / 125µm) <sup>4</sup>		35	
	HI1060 (5 / 125µm)			50
PDL (dB)			< 0.1	
Repeatability (dB)			± 0.01	
Resolution (dB)			± 0.01	
Absolute Accuracy (dB)			± 0.1	
Max. Optical Input Power (dBm)			23 (200mW)	
Beam Block (dB)			> 100	
Input Voltage			110 - 220 V AC, 50 - 60 Hz	
Interface			Front Panel / GPIB / RS232 / USB <sup>5</sup>	

**Notes:**

- <sup>1</sup> Excluding connectors and couplers.
- <sup>2</sup> At 1550nm. 0.3 dB higher at 1310nm.
- <sup>3</sup> At 850nm. 0.3dB lower at 1310nm.
- <sup>4</sup> At 800-1350nm.
- <sup>5</sup> USB interface via USB-DB9 adapter.

### MECHANICAL / ENVIRONMENTAL SPECIFICATIONS

Parameter	Specification
Unit Dimension W x H x D (cm)	26 x 11 x 26
Shipping Box Dimensions W x H x D (cm)	37 x 25 x 38
Unit Weight (kg)	3
Total Shipment Weight (kg)	4
Operating Temperature (°C)	0 to 40
Storage Temperature (°C)	-40 to 70
Humidity (Non-condensing)	Maximum 95% RH from 0 to 40

**JGR Optics Inc.**

160 Michael Cowpland Dr.  
 Ottawa, Ontario K2M 1P6 CANADA  
 T 613-599-1000 | F 613-599-1099 | info@jgroptics.com

www.JGROptics.com

