

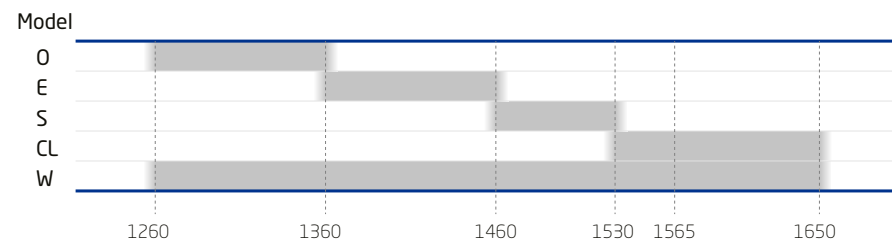


### Product Description

The Wideband Component Test System (WCS) takes advantage of JGR's cost effective ultra-wide band tunable laser source (TLS5), in order to provide fast and reliable measurements across the entire O, E, S, C, L and U wavelength ranges in one single sweep.

The WCS is capable of characterizing 32-Channel components such as broadband splitters, filters, or CWDM components in less than 10 seconds. With the included WCS Software, users can easily setup PASS/FAIL criteria to view real time graphical results of IL, PDL, and BR versus wavelength of their devices under test.

### Wavelength Range (nm)



### KEY FEATURES

- 1260 to 1650 wavelength range
- Fast scanning (<10 seconds for the entire band)
- Up to 32 Channels per chassis and 256 per system

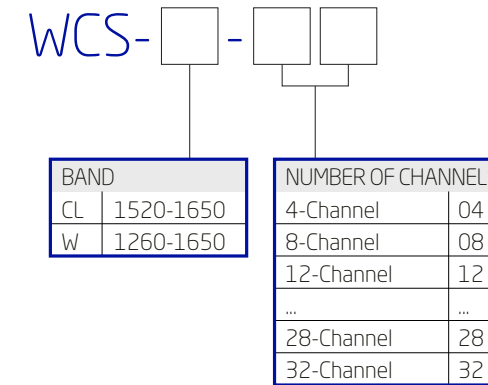
### APPLICATIONS

- Broadband coupler testing
- CWDM testing
- Filter testing
- FTTH/PON Splitter testing
- Attenuator testing

### IN THE SYSTEM

- TLS5 Tunable Laser
- WCS Detector Chassis
- High Speed Detector modules
- WCS application

### Ordering Scheme



Example:

WCS-W-32

### Optical/Electrical Specification

| Parameter                                               | Specification |           |           |           |           |
|---------------------------------------------------------|---------------|-----------|-----------|-----------|-----------|
|                                                         | O             | E         | S         | CL        | W         |
| Wavelength Range (nm)                                   | 1260-1360     | 1360-1460 | 1460-1530 | 1530-1650 | 1260-1650 |
| Wavelength Accuracy (nm)                                | ± 0.1         |           |           |           |           |
| Wavelength Resolution (nm)                              | 0.1           |           |           |           |           |
| Insertion Loss Dynamic Range (dB) <sup>1</sup>          | 70            |           |           |           |           |
| Insertion Loss Dynamic Range with PDL (dB) <sup>1</sup> | 65            |           |           |           |           |
| Insertion Loss Accuracy (dB) <sup>2</sup>               | ± 0.03        |           |           |           |           |
| Backreflection Dynamic Range (dB)                       | 65            |           |           |           |           |
| Backreflection Accuracy (dB) <sup>3</sup>               | ± 0.7         |           |           |           |           |
| PDL Accuracy (dB)                                       | ± 0.01        |           |           |           |           |
| PDL Dynamic Range (dB)                                  | 0 to 5        |           |           |           |           |
| Maximum number of Channels                              | 256           |           |           |           |           |
| 32Ch Measurement Time(s) <sup>4</sup>                   | <5            |           |           |           | <10       |

1. For TLS output power >-5dBm  
 2. <30dB IL  
 3. Add +/-0.1dB for every 1dB below -54dB  
 4. PDL measurement requires additional 3 measurement sweeps